

Axial Partnership Ltd

Leighton House
53-55 Balance Street
Uttoxeter
Staffordshire
ST14 8JQ

Telephone: +44 (0)1889 562532
Fax: +44 (0)1889 566441

Enclosure Range and Parts List

Version 1.0

Date: 16/07/04

Definition of Environment

Non-Hostile (Dry)

This type of cabinet is designed to stop the ingress of

- Dust

This type of cabinet will take the occasional splash of fluids.

They are NOT designed for damp environments as they only have fans and filters fitted.

They are NOT designed to take a high pressure hose directed at them.

Hostile (Wet)

This type of cabinet is designed to stop the ingress of

- Dust
- Liquid

This type of cabinet will only protect the equipment from indirect sources of liquid.

They are NOT designed to take a high pressure hose directed at them.

Intrinsically safe

This type of cabinet is designed to stop the ingress of

- Dust
- Fluids
- Gasses

Axial do not produce any enclosures for this environment at present.

Ancillary services

Service and support

We can provide a service support contract for installed workstations.

This generally contains the following but can be modified to suit customers.

- One site visit per year to check and clean workstations and change filters etc.
- Call-out facility to replace failed components (e.g. keyboards and screens)
- Storing of customers' exchange components (e.g. spare screens and keyboards)

Note: spare parts are generally excluded in these contracts and have to be paid for separately by the customer, although Axial will usually look after the purchasing of such components.

Installation

We can provide quotations for the installation of our workstations but these would require a site survey before any costs could be provided.

Delta Range

This is a low-cost industrial enclosure for mounting standard office PCs in an industrial environment.



Fig 1:

Delta Non-hostile Enclosure

As fitted on a bottling line

Specification		
Type	Hostile (Wet)	Non- Hostile (Dry)
Manufacturing material	Stainless Steel	Stainless Steel
Cooling	Heat exchanger	Fan and filter
Power connection	IEC/EN 60309-2 IP65 Plug with SY Cable	IEC/EN 60309-2 IP65 Plug with SY Cable
PC protection	240V dual Passive RCD Socket	240V dual Passive RCD Socket
Cooling protection	5A single fused spur	5A single fused spur
Data Cabling	Ethernet Cat 5 patch though IP65 cable gland	Ethernet Cat 5 patch though IP65 cable gland

Optional extras

Screen

IP 65 1024 x 768 pixel resolution TFT screen

Keyboard

IP 65 PC 102 Key Keyboard + Tracker Ball

IP 65 PC 96 Key Keyboard + Tracker Ball

IP 65 PC 102 Key Keyboard + Pivot Arm

IP 65 PC 96 Key Keyboard + Pivot Arm

Restrictions

- Keyboard and screen fitted in a fixed position.
- Can only be installed in one orientation.
- Only built for one style of installation.

Dimensions

Fig 2
Non-hostile (Dry)
Dimensions

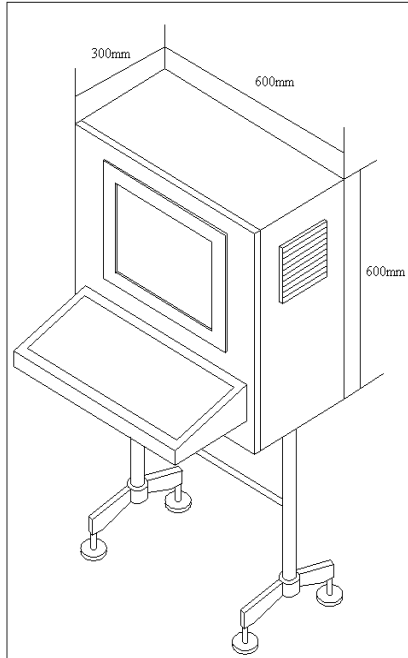
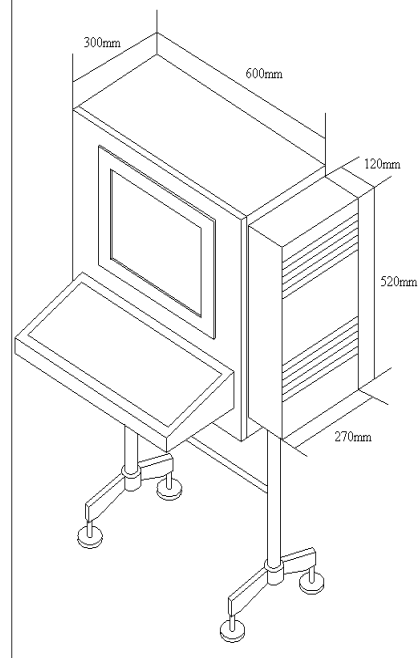


Fig 3
Hostile (Wet)
Dimensions



Delta Parts List

Grid to make up part no.		
Keyboard Type		
Non-standard / Customer supply	DNN	
102 Key Layout + Tracker Ball	D1T	
96 Key Layout + Tracker Ball	D9T	
102 Key Layout + Pivot Arm	D1P	
96 Key Layout + Pivot Arm	D9P	
PC / Screen Type		
Non-standard / Customer supply	N	
TFT Screen + PC	T	
Environment		
Hostile (Wet)		W
Non-Hostile (Dry)		D

Example Part number = D1T-T-W

This is a workstation for a hostile environment with TFT screen and 102 key keyboard with tracker ball.

Prices for the individual components are available upon application.

Radium Range

This is a low-cost industrial enclosure for mounting standard office PCs or industrial PCs in an industrial environment.

Type	Specification	
	Hostile (Wet)	Non-Hostile (Dry)
Manufacturing material	Stainless Steel or Mild steel	Stainless Steel or Mild steel
Cooling	Heat exchanger	Fan and filter
Power connection	IEC/EN 60309-2 IP65 Plug with SY Cable	IEC/EN 60309-2 IP65 Plug with SY Cable
PC protection	240V dual Passive RCD Socket	240V dual Passive RCD Socket
Cooling protection	5A single fused spur	5A single fused spur
Data Cabling	Ethernet Cat 5 patch though IP65 cable gland	Ethernet Cat 5 patch though IP65 cable gland

Optional extras

Screen

IP 65 1024 x 768 pixel resolution TFT screen

Keyboard

IP 65 PC 102 Key Keyboard + Tracker Ball

IP 65 PC 96 Key Keyboard + Tracker Ball

IP 65 PC 102 Key Keyboard + Pivot Arm

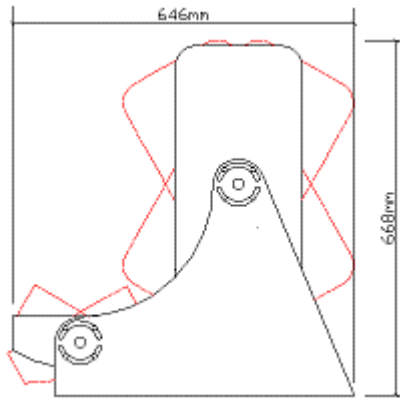
IP 65 PC 96 Key Keyboard + Pivot Arm

Advantages Over Delta Range

- Keyboard and screen can be rotated so that they can be set at different angles for different users.
- Modular approach enables fitting of enclosures in several configurations.
- Can be converted from a non-hostile area unit to a hostile area unit by replacing one component and not the whole unit.
- Smaller than the Delta version.

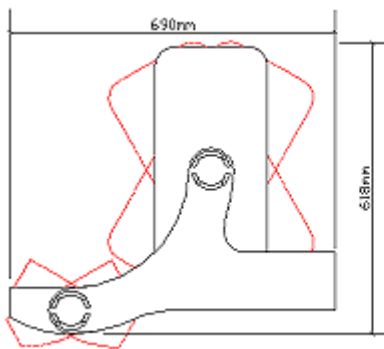
Dimensions

Fig 4
Non-hostile (Dry)
Desk Stand
Dimensions



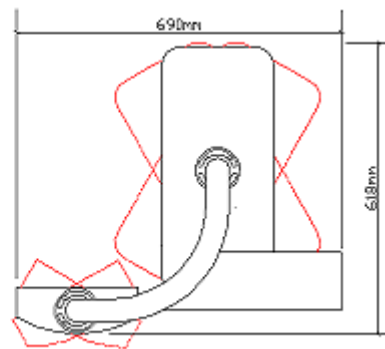
Width 582mm

Fig 5
Non-hostile (Dry)
Wall Mounted Sheet Steel
Dimensions



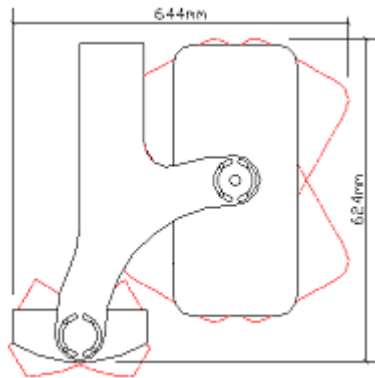
Width 582mm

Fig 6
Non-hostile (Dry)
Wall Mounted Tubular Steel
Dimensions



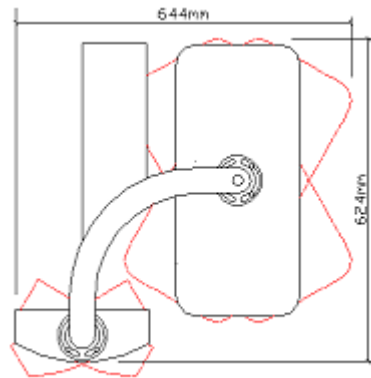
Width 802mm

Fig 7
Non-hostile (Dry)
Hanging Sheet Steel
Dimensions



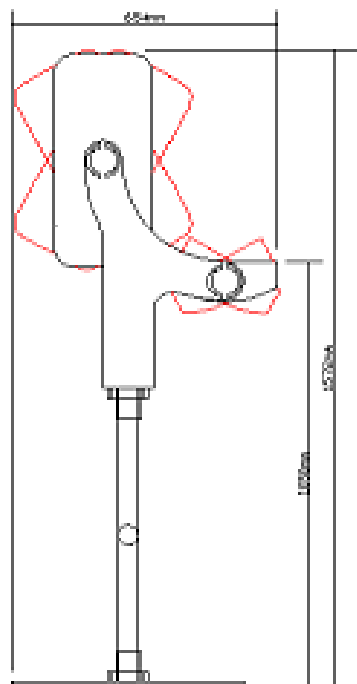
Width 582mm

Fig 8
Non-hostile (Dry)
Hanging Tubular Steel
Dimensions



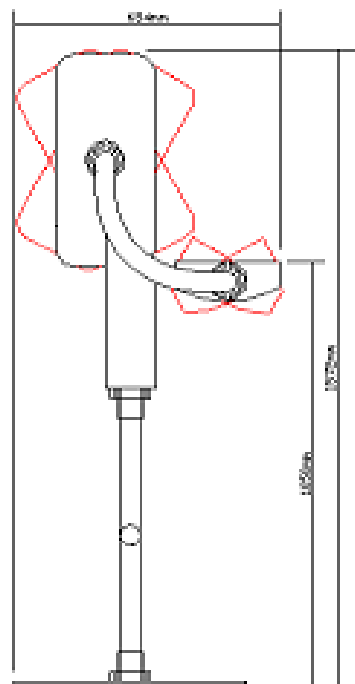
Width 802mm

Fig 9
Non-hostile (Dry)
Stand Sheet Steel
Dimensions



Width 582mm

Fig 10
Non-hostile (Dry)
Stand Tubular Steel
Dimensions



Width 802mm

Radium Parts List

Grid to make up part No.		
Keyboard Type		
Non-standard / Customer supply	RNN	
102 Key Layout + Tracker Ball	R1T	
96 Key Layout + Tracker Ball	R9T	
102 Key Layout + Pivot Arm	R1P	
96 Key Layout + Pivot Arm	R9P	
PC / Screen Type		
Non-standard / Customer supply	N	
TFT Screen (PC Not included)	T	
Panel PC	P	
Type of Material		
Stainless Steel	S	
Mild Steel (Paint details required)	M	
Style of Manufacture		
Tubular	T	
Sheet Steel	S	
Type of Mounting		
Floor	F	
Wall	W	
Hanging	H	
Desk	D	
Non-standard Mounting (Details required)	N	
Environment		
Hostile (Wet)	W	
Non-hostile (Dry)	D	

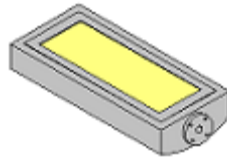
Example Part number = R1T-T-SSWW

This is a workstation for a hostile environment made of stainless sheet steel fitted with a TFT screen and 102 key keyboard with tracker ball.

Listed below are the various modular components, which make up the Radium range, along with their respective part numbers.

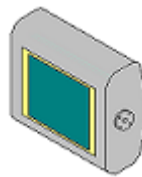
Prices for the individual components are available upon application.

Keyboard Type



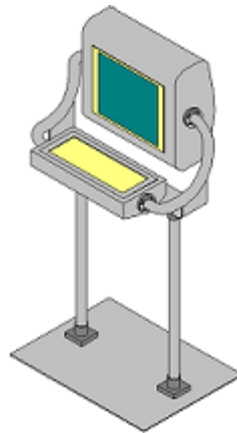
Description	Part No
Non-standard / Customer supply	RNN
102 Key Layout + Tracker Ball	R1T
96 Key Layout + Tracker Ball	R9T
102 Key Layout + Pivot Arm	R1P
96 Key Layout + Pivot Arm	R9P

PC / Screen Type



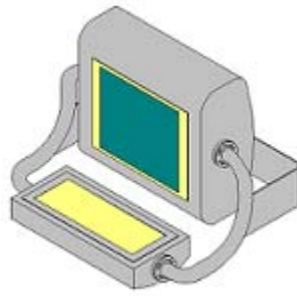
Description	Part No
Non-standard / Customer supply	N
TFT Screen + PC (PC Not included)	T
Panel PC	P

Tubular Floor Stand



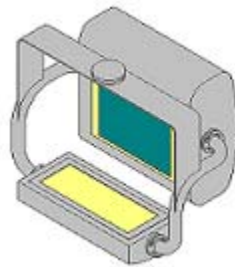
Description	Part No
Stainless Steel +Tubular + Floor + Wet	STFW
Stainless Steel +Tubular + Floor + Dry	STFD
Mild Steel +Tubular + Floor + Wet	MTFW
Mild Steel +Tubular + Floor + Dry	MTFD

Tubular Wall Mount



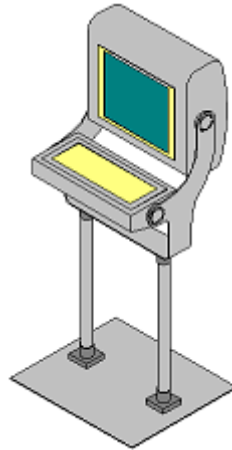
Description	Part No
Stainless Steel +Tubular + Wall + Wet	STWW
Stainless Steel +Tubular + Wall + Dry	STWD
Mild Steel +Tubular + Wall + Wet	MTWW
Mild Steel +Tubular + Wall + Dry	MTWD

Tubular Hanging Bracket



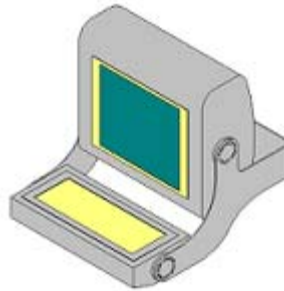
Description	Part No
Stainless Steel +Tubular + Hanging + Wet	STHW
Stainless Steel +Tubular + Hanging + Dry	STHD
Mild Steel +Tubular + Hanging + Wet	MTHW
Mild Steel +Tubular + Hanging + Dry	MTHD

Sheet Steel Floor Stand



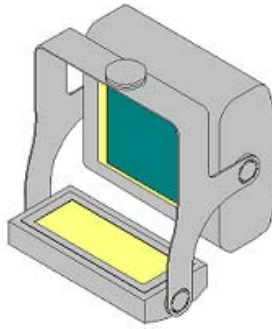
Description	Part No
Stainless Steel + Sheet + Floor + Wet	SSFW
Stainless Steel + Sheet + Floor + Dry	SSFD
Mild Steel + Sheet + Floor + Wet	MSFW
Mild Steel + Sheet + Floor + Dry	MSFD

Sheet Steel Wall Mount



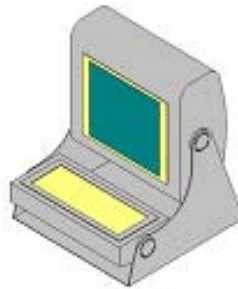
Description	Part No
Stainless Steel + Sheet + Wall + Wet	SSWW
Stainless Steel + Sheet + Wall + Dry	SSWD
Mild Steel + Sheet + Wall + Wet	MSWW
Mild Steel + Sheet + Wall + Dry	MSWD

Sheet Steel Hanging Bracket



Description	Part No
Stainless Steel + Sheet + Hanging + Wet	SSHW
Stainless Steel + Sheet + Hanging + Dry	SSHD
Mild Steel + Sheet + Hanging + Wet	MSHW
Mild Steel + Sheet + Hanging + Dry	MSHD

Sheet Steel Desk Stand



Description	Part No
Stainless Steel + Sheet + Desk + Wet	SSDW
Stainless Steel + Sheet + Desk + Dry	SSDD
Mild Steel + Sheet + Desk + Wet	MSDW
Mild Steel + Sheet + Desk + Dry	MSDD